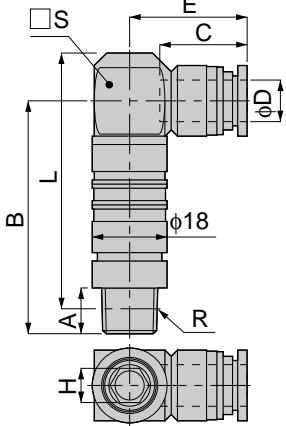


# Tube Fitting Series Die Temperature Control Fitting

## ASL

Elbow  
Stop Valve Built-in



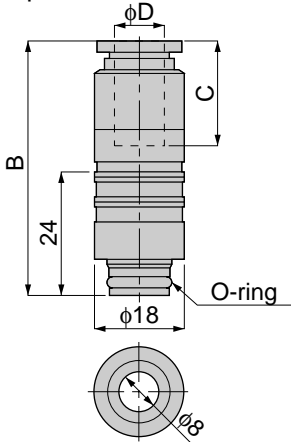
unit:mm

Model	Tube (I.D.×O.D.) φD	R	A	B	L	C	E	H	S	Mass (g)	Orifice (φmm)	Eff.a.(cv) (mm <sup>2</sup> )
ASL 10-601	6×4	R1/8	8	53	55	17	22	5	12	79	4	9.4(0.47)
ASL 10-602		R1/4	11		53			6		78.5		9.4
ASL 10-603		R3/8	12		52.5			85		0.48		
ASL 10-801	8×6	R1/8	8	54	57	18.5	24	5	14	86	5.3	18.2(0.97)
ASL 10-802		R1/4	11		55			6		85.5	18.6	
ASL 10-803		R3/8	12		54.5			92		1.03		
ASL 10-1001	10×7.5	R1/8	8	55.5	60	21	28	5	17	103	5.3	18.7(1.21)
ASL 10-1002		R1/4	11		58			6		102.5	24	
ASL 10-1003		R3/8	12		57.5			108		1.34		
ASL 10-1201	12×9	R1/8	8	57	63	23.5	31	5	20	129.5	5.3	18.6(1.34)
ASL 10-1202		R1/4	11		61			129		24.4		
ASL 10-1203		R3/8	12		60.5			135.5		1.56		



## ASC PARTS

Straight Joint Part only  
Stop Valve Built-in



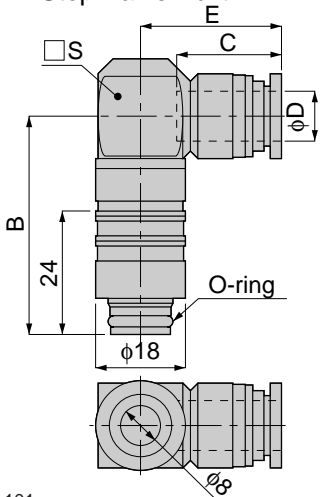
unit:mm

Model	Tube (I.D.×O.D.) φD	B	C	Mass (g)	Orifice (φmm)
ASC 10-6P	6×4	44.5	17	48	5
ASC 10-8P	8×6	48	18.5	52	7
ASC 10-10P	10×7.5	50	21	49	8.1
ASC 10-12P	12×9	52	23.5	55	8.1



## ASL PARTS

Elbow Joint Part only  
Stop Valve Built-in



unit:mm

Model	Tube (I.D.×O.D.) φD	B	C	E	S	Mass (g)	Orifice (φmm)
ASL 10-6P	6×4	40.5	17	22	12	60	4
ASL 10-8P	8×6	41.5	18.5	24	14	67.5	6
ASL 10-10P	10×7.5	43	21	28	17	84	7.5
ASL 10-12P	12×9	44.5	23.5	31	20	111	8.1

