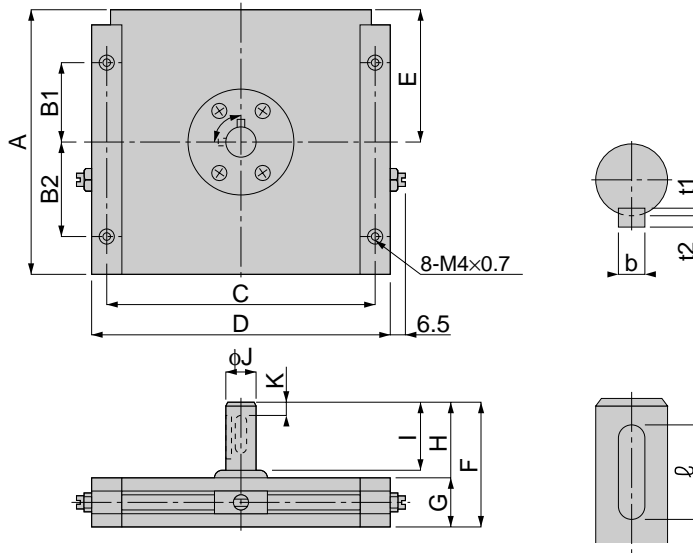
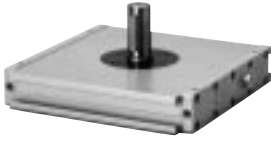


HR 200-400-600

Rotary Actuator
Pinion Shaft Type

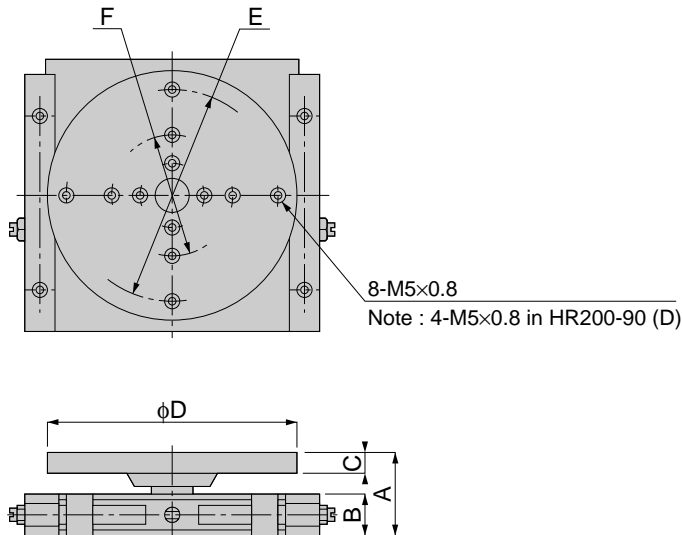


unit:mm

Model	A	B1	B2	C	D	E	F	G	H	I	J (g6)	K	b	t1	t2	ℓ	Mass (g)
HR 200-90	80	18.5	31.5	72	81	33.5	56.5	27	29.5	28	10	7.5	3	1.8	1.2	13	400
HR 400-90	130	45	45	122	130	65	59	24	35	35.5	15	5.0	5	3	3	25	850
HR 400-180				162	170												1050
HR 600-90	130	45	45	122	130	65	75	34	41	38.5	17	5.0	6	3.5	2.5	30	1200
HR 600-180				162	170												1450

HR 200-400-600

Rotary Actuator
Disk Type



unit:mm

Model	A	B	C	φD	E	F	Mass (g)
HR 200-90D	44	27	8	64	50	-	600
HR 400-90D	44	24	8	120	106	60	1600
HR 400-180D							1800
HR 600-90D	54	34	8	120	106	60	1900
HR 600-180D							2200