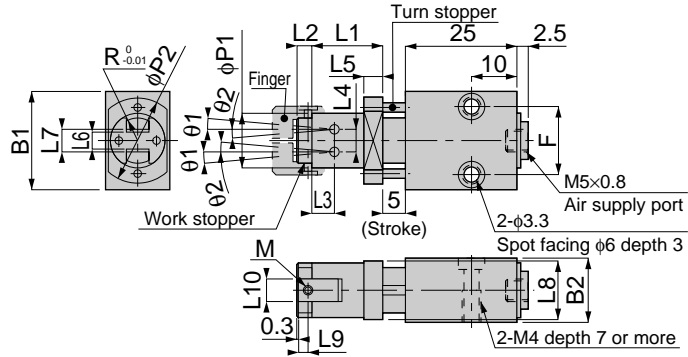


Actuator Series Closing Gripper Series

CHM A K

Floating Block Type
Fingers in Parallel



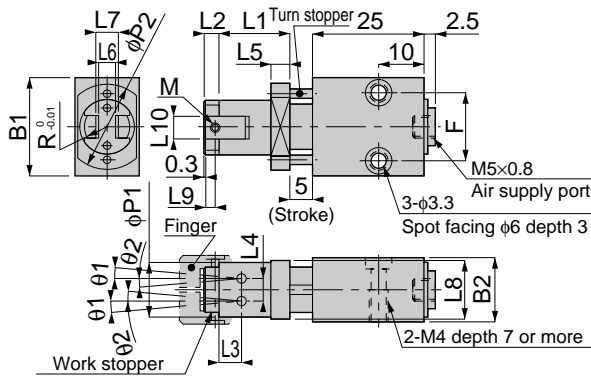
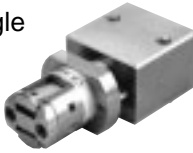
unit:mm

Model	M	R	B1	B2	L1	L2	L3	L4	L5	L6	L7	L8	L9	L10	$\phi P1$	$\phi P2$	$\theta 1$	$\theta 2$	F	Mass (g)
CHM 08AEK	M2x0.4	R5	22	14	15.5	3	5	5	4	4	5	13	2	5	12	19	10°	4.5°	15	73
CHM 11AEK	M2.5x0.45	R6.5	25	18	18.5	4	5.5	6	5	4.5	6	17	2.5	7	16	24	8°	4.5°	18	117



CHM A K

Floating Block Type
Fingers at Right Angle



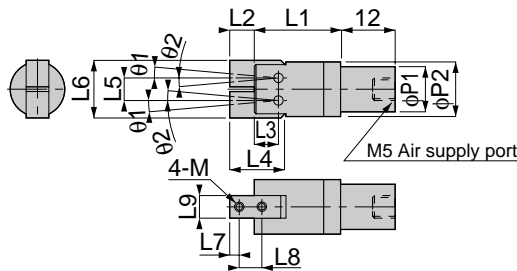
unit:mm

Model	M	R	B1	B2	L1	L2	L3	L4	L5	L6	L7	L8	L9	L10	$\phi P1$	$\phi P2$	$\theta 1$	$\theta 2$	F	Mass (g)
CHM 08AFK	M2x0.4	R5	22	14	15.5	3	5	5	4	4	5	13	2	5	12	19	10°	4.5°	15	73
CHM 11AFK	M2.5x0.45	R6.5	25	18	18.5	4	5.5	6	5	4.5	6	17	2.5	7	16	24	8°	4.5°	18	117



CHM A

Shank Type



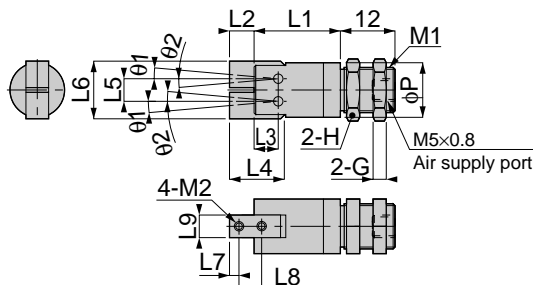
unit:mm

Model	M	L1	L2	L3	L4	L5	L6	L7	L8	L9	$\phi P1$	$\phi P2$	$\theta 1$	$\theta 2$	Mass (g)
CHM 08AAS	M2x0.4	19.5	5.5	5	12	5	13	2.5	5	5	10	12	10°	4.5°	22
CHM 11AAS	M2.5x0.45	23.5	7	5.5	14	6	17	3	6	7	12	16	8°	4.5°	43



CHM A

Panel Mount Type



unit:mm

Model	M1	M2	L1	L2	L3	L4	L5	L6	L7	L8	L9	ϕP	$\theta 1$	$\theta 2$	H	G	Mass (g)
CHM 08ABS	M10x1	M2x0.4	19.5	5.5	5	12	5	13	2.5	5	5	12	10°	4.5°	12	3	23.5
CHM 11ABS	M12x1	M2.5x0.45	23.5	7	5.5	14	6	17	3	6	7	16	8°	4.5°	14	4	45.5

