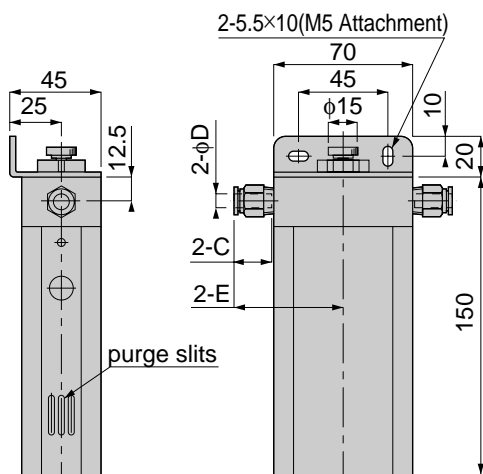


DMM 100 Dryer

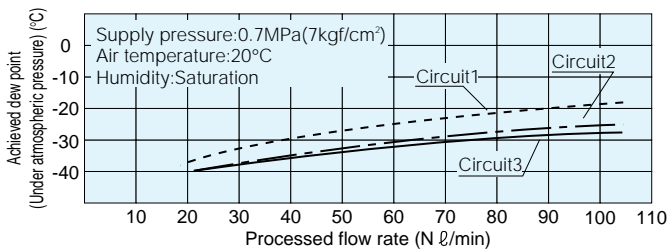


unit:mm

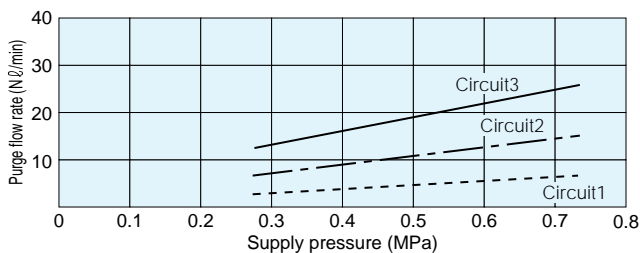
Model	Tube dia. φD	C	E	Mass (g)
DMM 100-4	4	15	50	442
DMM 100-6	6	17	53.5	444
DMM 100-8	8	18.5	55.5	440
DMM 100-10	10	21	59	450
DMM 100-00	-	-	-	



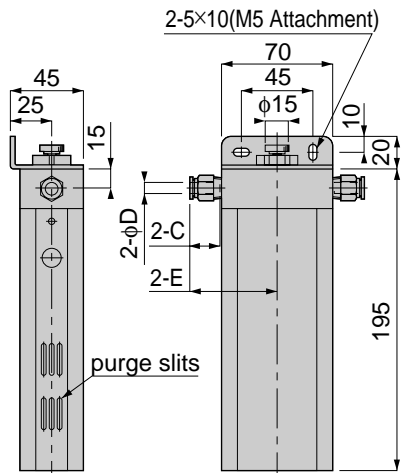
Dehumidification Performance Curve (Example)



Purging flow rate curve



DMM 300 Dryer

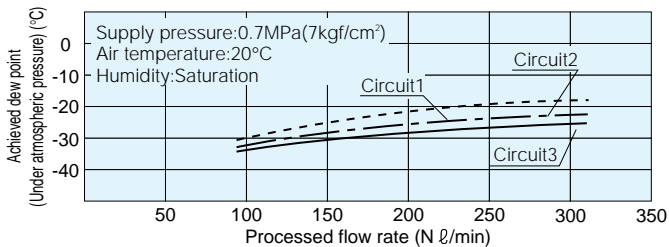


unit:mm

Model	Tube dia. φD	C	E	Mass (g)
DMM 300-6	6	17	52	550
DMM 300-8	8	18	52.5	542
DMM 300-10	10	20	58	548
DMM 300-12	12	23.5	60.5	567
DMM 300-16	16	25	68	615
DMM 300-00	-	-	-	



Dehumidification Performance Curve (Example)



Purging flow rate curve

