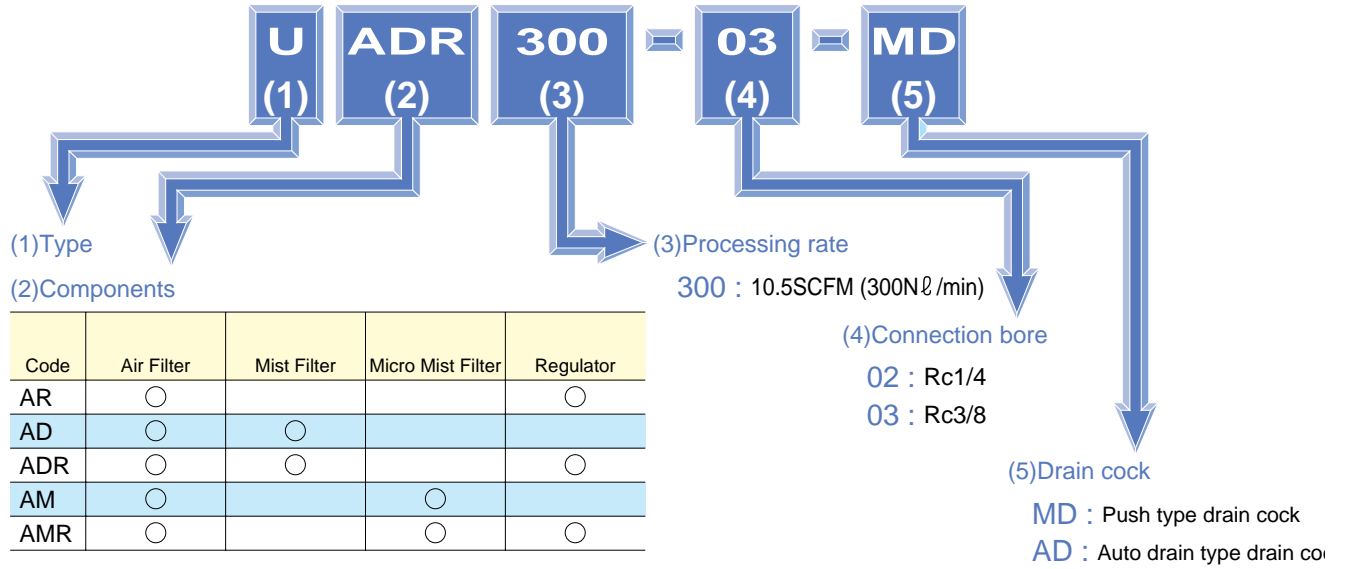
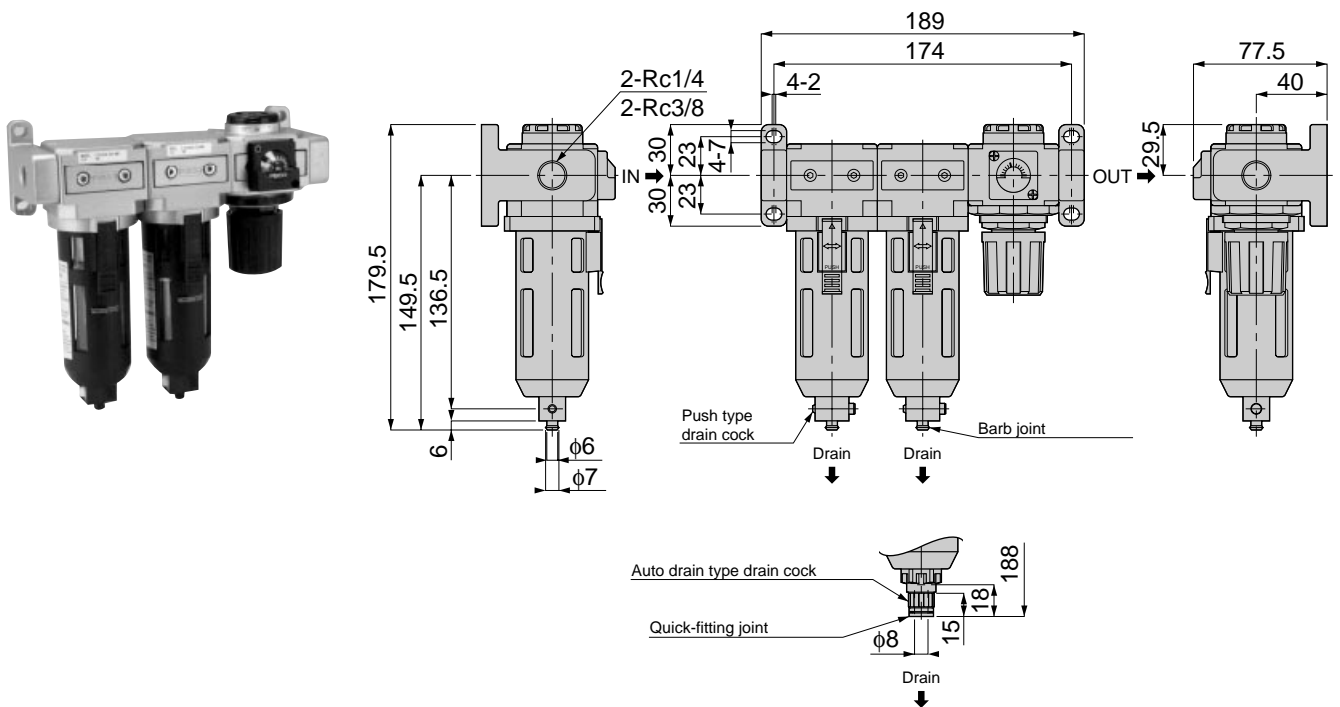


Model Designation (Example)



UADR
Air Filter, Mist Filter and Regulator

UAMR
Air Filter, Micromist Filter and Regulator



Unit: mm

Model	Weight (g)	
	(*) 02	(*) 03
UADR 300-□-MD	1179.5	1172.5
UADR 300-□-AD	1208.5	1201.5

(*) Connection bore

Unit: mm

Model	Weight (g)	
	(*) 02	(*) 03
UAMR 300-□-MD	1179.5	1172.5
UAMR 300-□-AD	1208.5	1201.5

(*) Connection bore