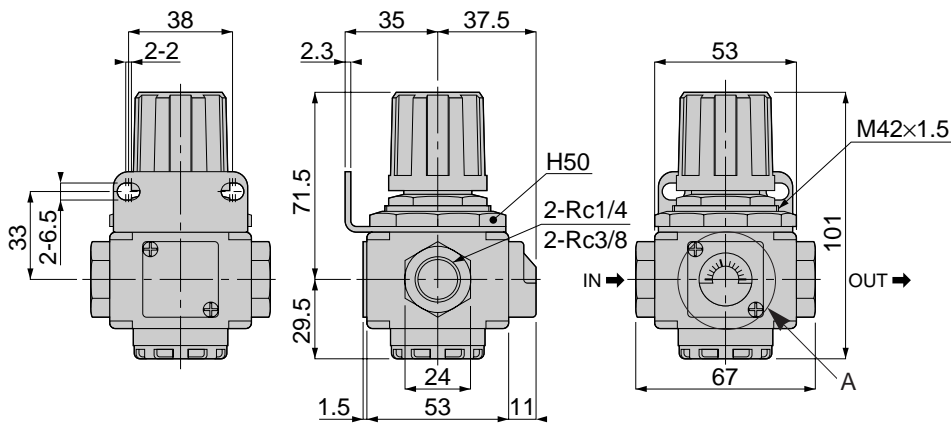
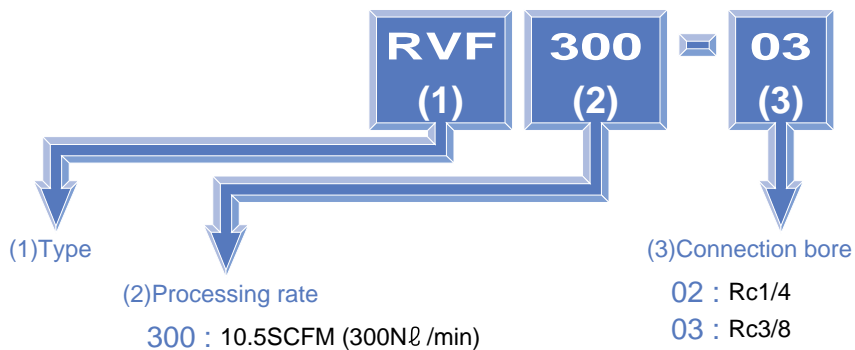


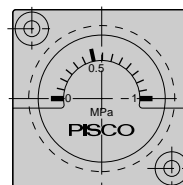
Model Designation (Example)



Unit: mm

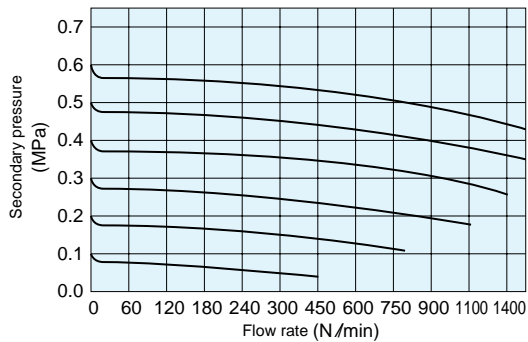
Model	Weight(g)	
	(*)02	(*)03
RVF 300-□	465.5	444.5

(*) Connection bore



Characteristics

Flow characteristics



Pressure characteristics

