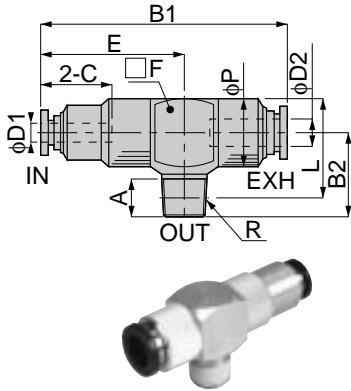


# Control Series Quick Exhaust Valve

unit:mm

## EQ

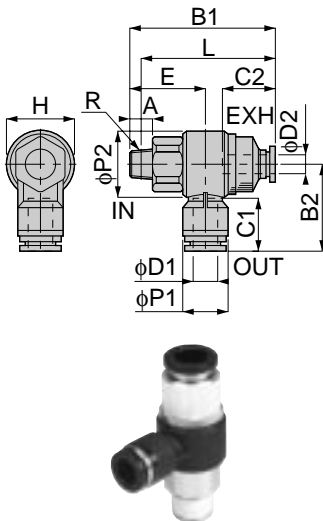
Cylinder Direct Mounting  
Union Straight  
Concentrated Exhaust



Model	Tube dia. φD1	Tube dia. φD2	R	A	B1	B2	L	φP	C	E	□F	Mass (g)	Eff. a. (mm <sup>2</sup> )	
													IN→OUT	OUT→EX
EQ 01-C04P01C08	4	8	R1/8	8	46.5	18	21.5	15	15	24	15	23	4	9
EQ 01-C06P01C08	6				47								22	
EQ 02-C06P01C10	6	10	R1/8	8	57	20	25	18	17	31	18	31	9	16
EQ 02-C06P02C10			R1/4	11										
EQ 02-C08P01C10	8	10	R1/8	8	59.5	20	25	18.5	34	18	18	33	12	16
EQ 02-C08P02C10			R1/4	11										
EQ 03-C10P02C12	10	12	R1/4	11	74.5	28	34.5	24	21	43	25	70	24	34
EQ 03-C10P03C12			R3/8	12									34	
EQ 03-C10P04C12	12	12	R1/2	15	76	30	34.5	24	23.5	44.5	25	76	27	37
EQ 03-C12P02C12			R1/4	11									34	
EQ 03-C12P03C12	12	12	R3/8	12	76	28	34	24	23.5	44.5	25	79	26	35
EQ 03-C12P04C12			R1/2	15									30	

## EQ

Straight  
Concentrated Exhaust

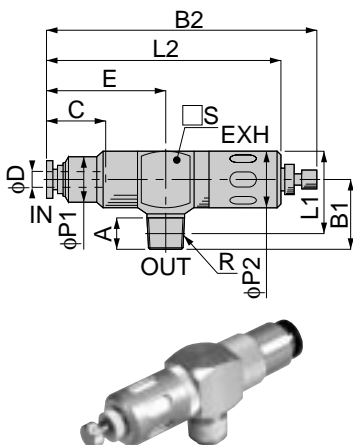


Model	Tube dia. φD1	Tube dia. φD2	R	A	B1	B2	L	φP1	φP2	C1	C2	E	H	Mass (g)
EQ 02-P01C06C10	6	10	R1/8	8	50.5	29	46.5	14.5	22	17	21	22.5	17	33
EQ 02-P01C08C10	8													
EQ 02-P02C06C10	6	10	R1/4	11	53.5	29	47.5	14.5	22	17	21	25.5	17	35
EQ 02-P02C08C10	8													
EQ 03-P03C10C12	10	12	R3/8	12	64.5	34	58	17.5	28	20.5	23.5	29	22	73
EQ 03-P03C12C12	12		36.5	21		23.5		30.5		76				
EQ 03-P04C10C12	10	12	R1/2	15	67.5	34	59.5	17.5	28	20.5	23.5	32	22	79
EQ 03-P04C12C12	12					36.5		21		23.5				33.5

Model	Eff. a. (mm <sup>2</sup> )	
	IN→OUT	OUT→EX
EQ 01-P01C06C08	5.5	6.5
EQ 02-P01C06C10	8	9
EQ 02-P01C08C10	10	12
EQ 02-P02C06C10	8	9
EQ 02-P02C08C10	10	12
EQ 03-P03C10C12	21	24
EQ 03-P03C12C12	22	27
EQ 03-P04C10C12	21	24
EQ 03-P04C12C12	22	27

## EQ

Cylinder Direct Mounting  
Straight Exhaust Throttle  
Open to Atmosphere



Model	Tube dia. φD	R	A	B2	B1		L1	L2	φP1	φP2	C	E	□F	Mass (g)	Eff. a. (mm <sup>2</sup> )	
					max	min									IN→OUT	OUT→EX
EQ 01-C04P01E	4	R1/8	8	25.5	67	62	21.5	54.5	12	15	15	24	15	25	4	8
EQ 01-C06P01E	6				17	6										
EQ 02-C06P01E	6	R1/8	8	29	81	74.5	25	66	14	18	17	31	18	39	9	15
EQ 02-C06P02E		R1/4	11													
EQ 02-C08P01E	8	R1/8	8	29	84	77	25	68.5	16	18.5	33.5	18	40	12	15	
EQ 02-C08P02E		R1/4	11													31
EQ 03-C10P02E	10	R1/4	11	40.5	112.5	105.5	34.5	96	18	21	43	25	94	24	31	
EQ 03-C10P03E		R3/8	12											34		25
EQ 03-C10P04E	12	R1/2	15	42.5	114.5	107	34.5	97.5	21	23.5	44.5	25	100	27	34	
EQ 03-C12P02E		R1/4	11											34		25
EQ 03-C12P03E	12	R3/8	12	40.5	114.5	107	34.5	97.5	21	23.5	44.5	25	103	26	31	
EQ 03-C12P04E		R1/2	15											34.5		25