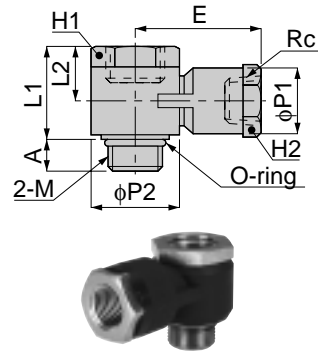


Tube Fitting Series Main Block

MHT

CAD

Universal Taper



unit:mm

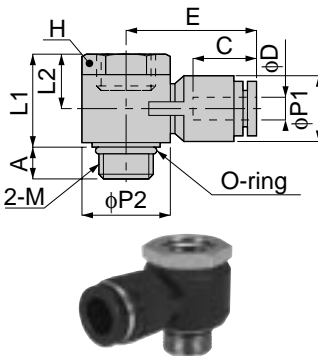
Model	Rc	M	A	L1	L2	φP1	φP2	E	H1	H2	Mass (g)	Orifice (φmm)	Eff. a. (mm ²)
MHT 08M5	M5×0.8	M8×1	6.5	19	11	13	15.5	23.5	14	12	22	2.8	7.3
MHT 08M6	M6×1												7.8
MHT 0801	Rc1/8												14
MHT 12M6	M6×1	M12×1	7	20	11.5	13	19.5	27.5	17	12	28	5	9.7
MHT 1201	Rc1/8												14
MHT 1401	Rc1/8	M14×1	8	23	13	15	24.5	29.5	22	14	44	6	16.1
MHT 1402	Rc1/4												19
MHT 1802	Rc1/4	M18×1	8	27	15.5	21.5	30	37	24	19	78	10	36.9
MHT 1803	Rc3/8												33



MHQ

CAD

Universal Quick



unit:mm

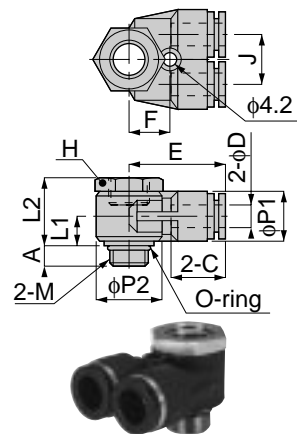
Model	Tube dia. φD	M	A	L1	L2	φP1	φP2	C	E	H	Mass (g)	Orifice (φmm)	Eff. a. (mm ²)
MHQ 0804	4	M8×1	6.5	19	11	10	15.5	15	22.5	14	16	2.5	4.7
MHQ 0806	6												7
MHQ 1206	6	M12×1	7	20	11.5	12	19.5	17	27	17	23	4	8.7
MHQ 1208	8												11
MHQ 1408	8	M14×1	8	23	13	14	24.5	18	30.5	22	38	6	16.7
MHQ 1410	10												19
MHQ 1412	12	M18×1	8	27	15.5	20	30	23.5	35.5	24	60	10	40.4
MHQ 1812	12												23
MHQ 1816	16												33



MHB

CAD

Universal Branch



unit:mm

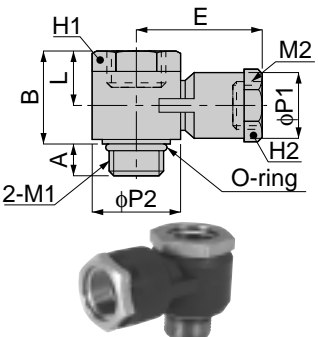
Model	Tube dia. φD	M	A	L1	L2	φP1	φP2	C	J	E	H	F	Mass (g)	Orifice (φmm)	Eff. a. (mm ²)
MHB 1410	10	M14×1	8	10	23	18	23	20	17	33.5	22	15	46.5	4	17.8
MHB 1812	12	M18×1	8	11.5	27	21.5	27	23.5	20	37.5	24	17	67	7	35.6



MHS

CAD

Universal Straight



unit:mm

Model	M1	M2	A	B	L	φP1	φP2	H1	H2	Mass (g)	Orifice (φmm)	Eff. a. (mm ²)
MHS 1208	M12×1	M8×1	7	20	11.5	12.5	19.5	17	12	26.5	4	8.4
MHS 1212		M12×1										10
MHS 1412	M14×1	M12×1	8	23	13	18	24.5	22	17	49.5	7	20.8
MHS 1414		M14×1										19
MHS 1814	M18×1	M14×1	8	27	15.5	21.5	30	24	19	73.5	7	40.1
MHS 1818		M18×1										33

