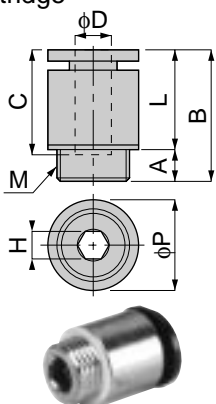




Cartridge

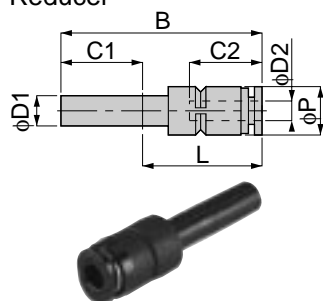


unit:mm

Model	Tube dia. φD	M	A	B	L	φP	C	H	Mass (g)	Orifice (φmm)	Eff. a. (mm <sup>2</sup> )
PCC 3-M6M	3	M6×0.75	3	14	11	8	11	2	3	2.2	2.9
PCC 4-M6M	4	M6×0.75	3	14	11	8	11	2.5	3	2.6	5.1
PCC 4-M8M		M8×0.75	3.5		10.5	10		3		3.1	7.3
PCC 6-M8M	6	M8×0.75	3.5	14.5	11	10	11.5	4	4	4.2	12.8
PCC 1/8-M6M	1/8	M6×0.75	3	14	11	8	11	2	3	2.6	3



Reducer

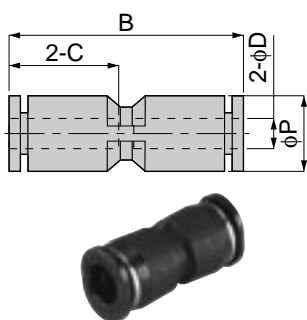


unit:mm

Model	φD1	Tube dia. φD2	B	L	φP	C1	C2	Mass (g)	Orifice (φmm)	Eff. a. (mm <sup>2</sup> )
PGJ 4-3M	4	3	33.5	22.5	8	11	9.5	1.5	2.5	3.7
PGJ 6-3M	6	3	38	26.5	9.5	11.5	11	2.5	3	3.1
PGJ 6-4M		4						3.5		5.4
PGJ 6-1/8M		1/8						2.5	2.5	



Union Straight

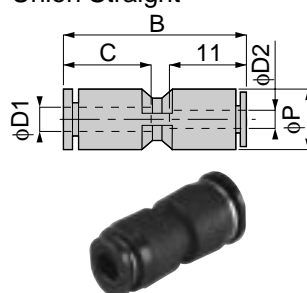


unit:mm

Model	Tube dia. φD	B	φP	C	Mass (g)	Orifice (φmm)	Eff. a. (mm <sup>2</sup> )
PU 3M	3	19.5	6	9.5	1.5	2	2.7
PU 4M	4	22.5	8	11	2	3	5.4
PU 6M	6	24.5	10.5	11.5	4	4	11
PU 1/8M	1/8	22.5	8	11	2	3	2.6



Different Diam. Union Straight



unit:mm

Model	Tube dia. φD1	Tube dia. φD2	B	φP	C	Mass (g)	Orifice (φmm)	Eff. a. (mm <sup>2</sup> )
PG 4-3M	4	3	22.5	8	11	3	2	2.4
PG 4-1/8M		1/8					2.5	
PG 6-4M	6	4	24	10.5	11.5	4	3	5.6
PG 6-1/8M		1/8				3		2.6

