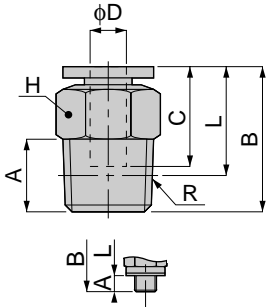


Tube Fitting Series EG

unit:mm

PC EG

Straight



Metric thread type

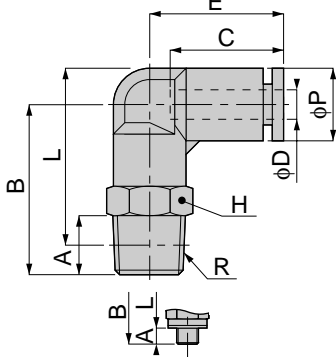


Model	Tube dia. ϕD	R	A	B	L	C	H	Mass (g)	Orifice (ϕ mm)	Eff. a. (mm^2)	
PC 4-M5EG	4	M5×0.8	3	20	17	15	10	6.5	1.8	1.9	
PC 4-M6EG		M6×1	4	21.5							
PC 4-01EG		R1/8	8	21	15		14	17	3	5.3	
PC 4-02EG		R1/4	11								
PC 6-M5EG	6	M5×0.8	3	22	19	17	12	9	1.8	1.9	
PC 6-M6EG		M6×1	4	23	18.5			14	9.5	3	6.2
PC 6-01EG		R1/8	8	22.5					9	4.6	12.5
PC 6-02EG		R1/4	11	24.5	17						
PC 6-03EG		R3/8	12	23.5	17						

unit:mm

PL EG

Elbow



Metric thread type

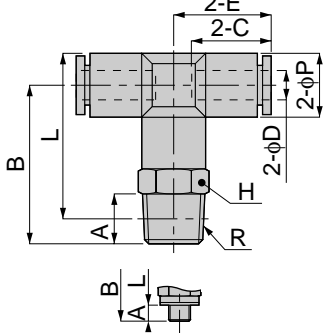


Model	Tube dia. ϕD	R	A	B	L	ϕP	C	E	H	Mass (g)	Orifice (ϕ mm)	Eff. a. (mm^2)
PL 4-M5EG	4	M5×0.8	3	21.5	24	10	15	17	10	8	1.8	1.5
PL 4-M6EG		M6×1	4	22.5						8.5		
PL 4-01EG		R1/8	8	23.5	24.5			18.5	14	20	3	4.2
PL 4-02EG		R1/4	11	26.5	25.5							
PL 6-M5EG	6	M5×0.8	3	22	25	12.5	17	19.5	12	12	1.8	1.5
PL 6-M6EG		M6×1	4	23						12.5		
PL 6-01EG		R1/8	8	25	27			20	14	22	4.6	10
PL 6-02EG		R1/4	11	28	28							
PL 6-03EG		R3/8	12	30	29.5							

unit:mm

PB EG

Tee



Metric thread type



Model	Tube dia. ϕD	R	A	B	L	ϕP	C	E	H	Mass (g)	Orifice (ϕ mm)	Eff. a. (mm^2)
PB 4-M5EG	4	M5×0.8	3	20.5	22.5	10.5	15	17	10	11.5	1.8	1.5
PB 4-M6EG		M6×1	4	21.5								
PB 4-01EG		R1/8	8	23.5	24.5				14	24	3	4.1
PB 4-02EG		R1/4	11	26.5	26.5							
PB 6-M5EG	6	M5×0.8	3	23	26.5	13	17	20.5	12	15.5	1.8	1.5
PB 6-M6EG		M6×1	4	24						16		
PB 6-01EG		R1/8	8	26	28.5				14	25.5	4.6	10
PB 6-02EG		R1/4	11	29	29.5							
PB 6-03EG		R3/8	12	31	31							