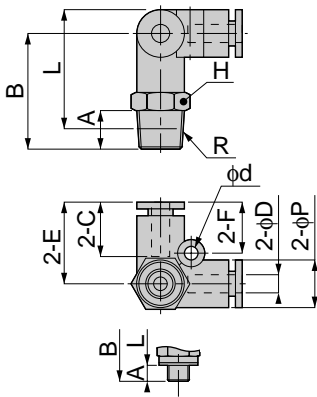


Tube Fitting Series SUS303 Type

New

SPVX
SUS303

Tripod Elbow



Metric thread type



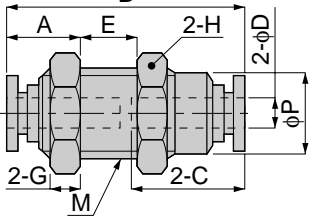
unit:mm

Model	Tube dia. φD	R	A	B	L	φP	C	E	H	φd	F	Mass (g)	Orifice (φmm)	Eff. a. (mm ²)	
SPVX 4-M5	4	M5×0.8	3	21.5	24.5	10	15	17	10	3.2	10.5	11.5	1.8	2.3	
SPVX 4-M6		M6×1	4	22.5								12		3.6	
SPVX 4-01		R1/8	8	24.5	25.5				14.5			3	4		
SPVX 4-02		R1/4	11	27.5	26.5				23.5			3	3.5		
SPVX 6-M5	6	M5×0.8	3	25.5	29	12.5	17	20.5	12	4.2	12.5	16	1.8	2.3	
SPVX 6-M6		M6×1	4	26.5								14.5	3	5.9	
SPVX 6-01		R1/8	8	28.5	30.5				18			8.5			
SPVX 6-02		R1/4	11	31.5	31.5				25.5			4	8		
SPVX 6-03	R3/8	12	33	32.5	39	8.4									
SPVX 8-01	8	R1/8	8	30.5	33.5	14.5	18	22.5	14	4.2	12.5	23.5	6	17.1	
SPVX 8-02		R1/4	11	33.5	34.5							29.5		17.5	
SPVX 8-03		R3/8	12	35	35.5				42			17.4			
SPVX 10-01	10	R1/8	8	35	39.5	17.5	20	26.5	17	4.2	14.5	42	8	17.4	
SPVX 10-02		R1/4	11	38	40.5							43.5		31.5	
SPVX 10-03		R3/8	12	39	41				52			28.1			
SPVX 10-04		R1/2	15	42	42.5				73			24.3			
SPVX 12-02	12	R1/4	11	41	45.5	21	23.5	29.5	21	4.2	15.5	64	8	40.9	
SPVX 12-03		R3/8	12	42	46							64.5	10	45	
SPVX 12-04		R1/2	15	45	47.5							79.5	10	44.8	

unit:mm

SPM
SUS303

Bulkhead Union



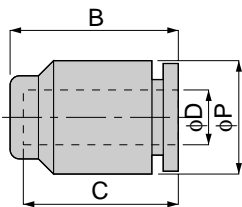
Model	Tube dia. φD	M	A	B	φP	C	E	H	G	Mass (g)	Orifice (φmm)	Eff. a. (mm ²)
SPM 4	4	M12×1	9.5	31.5	11	15	7	14	4	10.5	3	5.3
SPM 6	6	M14×1	10	35.5	12.5	17	10	17	4	16	4.6	12.5
SPM 8	8	M16×1	10.5	38	14.5	18	9	19	4	19.5	6	20
SPM 10	10	M20×1	11.5	43	18.5	20	13	24	5	37.5	8	35
SPM 12	12	M22×1	12.5	48	20.5	23.5	18	27	6	56	11	71

unit:mm

New

SPPF
SUS303

Cap



Model	Tube dia. φD	B	φP	C	Mass (g)
SPPF 4	4	16.5	10	15	2.5
SPPF 6	6	18.5	13	17	3.5
SPPF 8	8	20	15	18	5
SPPF 10	10	22.5	18	20.5	8
SPPF 12	12	25	21.5	23	11.5