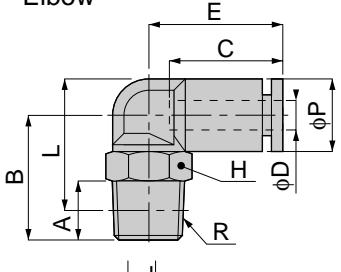


PL
MINI TYPE

Elbow



Metric thread type



unit:mm

Model	Tube dia. φD	R	A	B	L	φP	C	E	H	Mass (g)	Orifice (φmm)	Eff. a. (mm ²)	
PL 3-M3M	3	M3×0.5	2.5	12	12.5	6.5	9.5	11	5.5	1.5	1.2	0.5	
PL 3-M5M		M5×0.8	3	13.5	13.5				8	3		0.9	
PL 3-M6M		M6×1	4	14.5	13.5				8	3		0.9	
PL 4-M3M	4	M3×0.5	2.5	14	15.5	8.5	11	15	8	3	1.3	1.3	
PL 4-M5M		M5×0.8	3	13.5	14.5						2.4	2.2	
PL 4-M6M		M6×1	4	14.5	14.5						4	2.5	3.9
PL 4-01M		R1/8	8	16	16						15.5	10	6
PL 6-M5M	6	M5×0.8	3	14.5	17	11	11.5	16	8	4	2.4	3.5	
PL 6-M6M		M6×1	4	15.5	17						2.5	3.6	
PL 6-01M		R1/8	8	17	18.5						10	7	4
PL 1/8-M3M	1/8	M3×0.5	2.5	14	15.5	8.5	11	15	8	3	1.3	0.9	
PL 1/8-M5M		M5×0.8	3	13.5	14.5						2.4	2.7	
PL 1/8-M6M		M6×1	4	14.5	14.5						4	2.5	2.5
PL 1/8-01M		R1/8	8	16	16						15.5	10	6

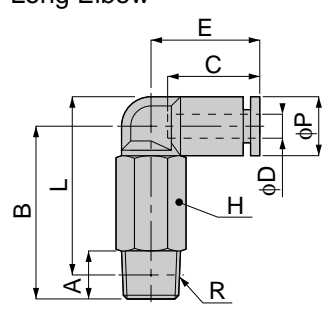


unit:inch

MODEL	Tube dia. φ D	NPT	A	B	L	φ P	C	E	H	Weight (g)	Orifice φ MM	Eff.a. mm ²	Cv
PL 1/8-U10MU	1/8	10-32UNF	0.14	0.53	0.39	0.31	0.43	0.61	5/16	3.3	2.4	2.7	0.15
PL 1/8-N0MU	1/8	1/16-27	0.31	0.73	0.57	0.31	0.43	0.63	7/16	7.5	2.5	2.0	0.11
PL 1/8-N1MU	1/8	1/8	0.31	0.63	0.47	0.31	0.43	0.63	7/16	7.1	2.5	2.0	0.11
PL 5/32-U10MU	5/32	10-32UNF	0.14	0.53	0.39	0.31	0.43	0.61	5/16	3.3	2.4	2.2	0.12
PL 5/32-N0MU	5/32	1/16-27	0.31	0.73	0.57	0.31	0.43	0.63	7/16	7.5	2.5	4.8	0.26
PL 5/32-N1MU	5/32	1/8	0.31	0.63	0.47	0.31	0.43	0.63	7/16	7.1	2.5	4.8	0.26

PLL
MINI TYPE

Long Elbow



Metric thread type



unit:mm

Model	Tube dia. φD	R	A	B	L	φP	C	E	H	Mass (g)	Orifice (φmm)	Eff. a. (mm ²)
PLL 3-M3M	3	M3×0.5	2.5	19	19.5	6	9.5	11	5.5	2.5	1.2	0.6
PLL 4-M3M	4	M3×0.5	2.5	23	24.5	8.5	11	15	8	7	1.2	0.9
PLL 4-M5M		M5×0.8	3	25	26					8.5	2.4	3
PLL 4-M6M		M6×1	4	26	26					8.5	2.5	3.7
PLL 4-01M		R1/8	8	28.5	26					10	13	4
PLL 6-M5M	6	M5×0.8	3	26	28.5	11	11.5	16	8	9	2.4	3.3
PLL 6-M6M		M6×1	4	27	28.5						2.5	3.7
PLL 6-01M		R1/8	8	29.5	31						10	14
PLL 1/8-M3M	1/8	M3×0.5	2.5	23	24.5	8.5	11	15	8	7	1.2	0.9
PLL 1/8-M5M		M5×0.8	3	25	26						8.5	2.4

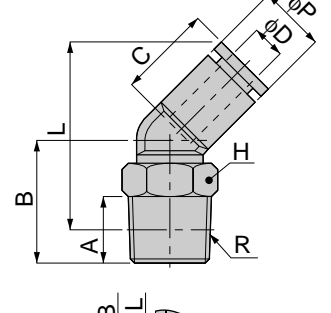


unit:inch

MODEL	Tube dia. φ D	NPT	A	B	L	φ P	C	E	H	Weight (g)	Orifice φ MM	Eff.a. mm ²	Cv
PLL 1/8-U10MU	1/8	10-32UNF	0.14	0.98	0.85	0.31	0.43	0.61	5/16	8.0	2.4	2.5	0.14
PLL 1/8-N1MU	1/8	1/8	0.31	1.12	0.96	0.31	0.43	0.61	7/16	15.9	2.5	4.2	0.23
PLL 5/32-U10MU	5/32	10-32UNF	0.14	0.98	0.85	0.31	0.43	0.61	5/16	8.0	2.5	3.0	0.16
PLL 5/32-N1MU	5/32	1/8	0.31	1.12	0.96	0.31	0.43	0.61	7/16	15.8	2.5	4.2	0.23

PLH
MINI TYPE

45-degree Elbow



Metric thread type



unit:mm

Model	Tube dia. φD	R	A	B	L	φP	C	H	Mass (g)	Orifice (φmm)	Eff. a. (mm ²)
PLH 4-M5M	4	M5×0.8	3	12.5	21.5	8	11	8	3	2.4	2.9
PLH 4-M6M		M6×1	4	13.5					3.5	2.5	4
PLH 4-01M		R1/8	8	15					23	10	6
PLH 6-M5M	6	M5×0.8	3	14	24	10.5	11.5	8	4	2.4	3.6
PLH 6-M6M		M6×1	4	15					2.5	3.8	
PLH 6-01M		R1/8	8	16.5					25.5	10	6.5