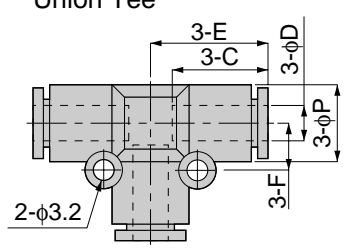


PE
MINI TYPE

Union Tee



unit:mm

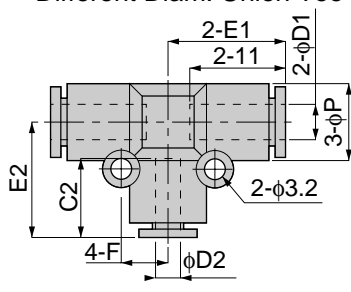
Model	Tube dia. φD	φP	C	E	F	Mass (g)	Orifice (φmm)	Eff. a. (mm ²)
PE 3M	3	6	9.5	11	4.5	2	2	1.9
PE 4M	4	8	11	13	5.5	2	3	4.6
PE 6M	6	10.5	11.5	15	6.5	4	4	8.9
PE 1/8M	1/8	8	11	13	5.5	2	3	2.1



1

PEG
MINI TYPE

Different Diam. Union Tee



unit:mm

Model	Tube dia. φD1	Tube dia. φD2	φP	C	E1	E2	F	Mass (g)	Orifice (φmm)	Eff. a. (mm ²)
PEG 4-3M	4	3	8	11	13	13	5.5	3.5	2.5	2.4
PEG 4-1/8M		1/8								2.3
PEG 6-4M	6	4	10.5	11.5	15	14.5	6.5	4	3	5.3



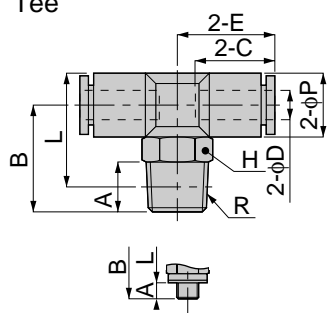
1



1

PB
MINI TYPE

Tee



Metric thread type



unit:mm

Model	Tube dia. φD	R	A	B	L	φP	C	E	H	Mass (g)	Orifice (φmm)	Eff. a. (mm ²)
PB 3-M3M	3	M3×0.5	2.5	12	15.5	6.5	9.5	11	5.5	2	1.2	0.7
PB 3-M5M		M5×0.8	3	13.5	13.5				8	3.5		2
PB 3-M6M		M6×1	4	14.5					5	1.9		
PB 4-M3M	4	M3×0.5	2.5	15	16.5	8.5	11	12.5	8	4	1.2	1.4
PB 4-M5M		M5×0.8	3	14.5	15.5					4.5	2.4	3.7
PB 4-M6M		M6×1	4	15.5						5	2.5	2.8
PB 4-01M		R1/8	8	17	17					13	10	7
PB 6-M5M	6	M5×0.8	3	15.5	18	11	11.5	13	8	6	2.5	3.5
PB 6-M6M		M6×1	4	16.5						6	2.5	3.6
PB 6-01M		R1/8	8	18						19.5	14	10
PB 1/8-M3M	1/8	M3×0.5	2.5	15	16.5	8.5	11	12.5	8	4	1.2	0.9
PB 1/8-M5M		M5×0.8	3	15.5	15.5					4.5	2.4	2.1
PB 1/8-M6M		M6×1	4	16.5						5	2.5	2.2
PB 1/8-01M		R1/8	8	17	17					13	10	7



1



2

unit:inch

MODEL	Tube dia. φ D	NPT	A	B	L	φ P	C	E	H	Weight (g)	Orifice φ MM	Eff.a. mm ²	Cv
PB 1/8-U10MU	1/8	10-32UNF	0.14	0.57	0.43	0.31	0.43	0.53	5/16	4.3	2.4	2.1	0.11
PB 1/8-N1MU	1/8	1/8	0.31	0.67	0.51	0.31	0.43	0.53	7/16	8.1	2.5	2.3	0.12
PB 5/32-U10MU	5/32	10-32UNF	0.14	0.57	0.43	0.31	0.43	0.53	5/16	4.2	2.4	3.7	0.20
PB 5/32-N1MU	5/32	1/8	0.31	0.67	0.51	0.31	0.43	0.53	7/16	7.9	2.5	4.6	0.25